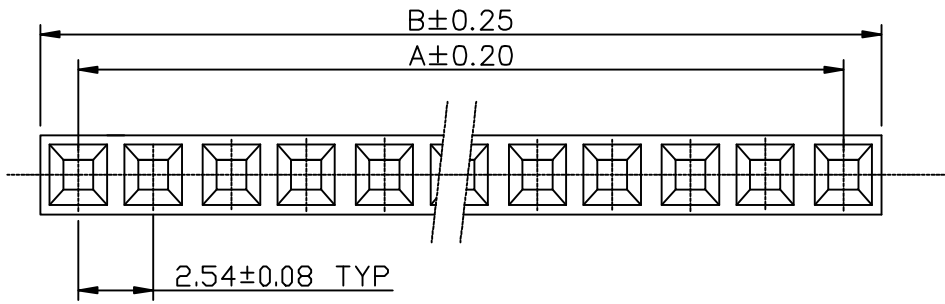


	1	2	3	4
--	---	---	---	---

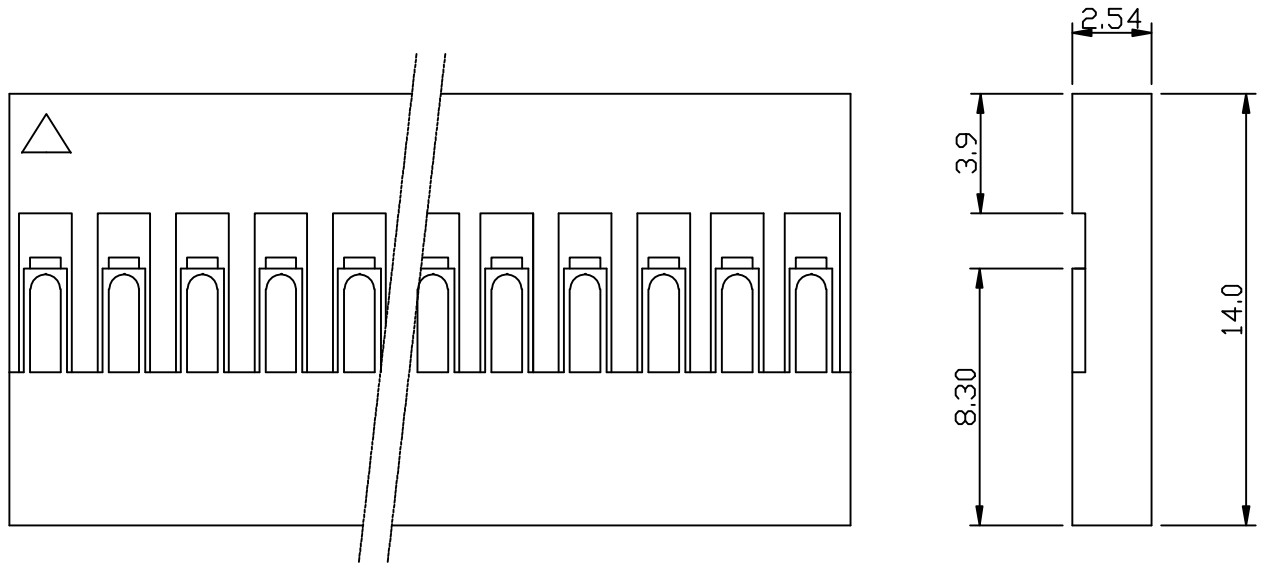
A

版本	REV	繪制日期
A		2009-3-27

B



C



D

- Specifications:
- Poles: 2~16 Poles
 - Pitch Between Poles: 2.54mm
 - Material: Nylon 66 UL 94V-0
 - Suitable A2541T Series Terminal

Dimensional & Ordering Information:

Cir- cuits	Part No	Dimension mm	
		A	B
02	A2541H00-1*2P	2.54	5.08
03	A2541H00-1*3P	5.08	7.62
04	A2541H00-1*4P	7.62	10.16
05	A2541H00-1*5P	10.16	12.70
06	A2541H00-1*6P	12.70	15.24
07	A2541H00-1*7P	15.24	17.78
08	A2541H00-1*8P	17.78	20.32
09	A2541H00-1*9P	20.32	22.86
10	A2541H00-1*10P	22.86	25.40
11	A2541H00-1*11P	25.40	27.94
12	A2541H00-1*12P	27.94	30.48
13	A2541H00-1*13P	30.48	33.02
14	A2541H00-1*14P	33.02	35.56
15	A2541H00-1*15P	35.56	38.10

E

一般公差:GENERAL TOLERANCE		更改說明:REV.DESCRPTION		更改說明:REV.DESCRPTION	
尺寸範圍DIM		△		△	
10.01以上之尺寸	±0.30	△		△	
10.00以內之尺寸	±0.20	△		△	
孔位	±0.10	核准APPD	朱小华	2009-3-27	模型: MODEL
文件編號	SC-EW-11	審核CHD			
		繪圖DWN	Liaozting	2009-3-27	
比例: SCALE				規格: SPEC 2.54mm Crimp Style Connectors	