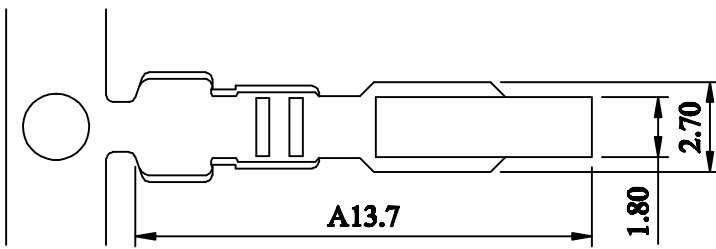
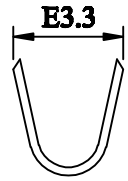
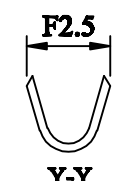
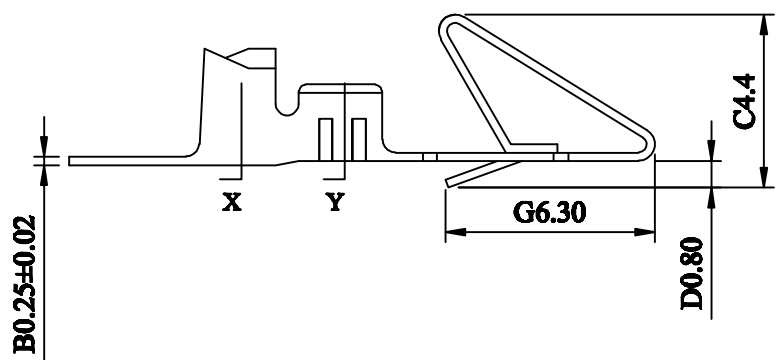
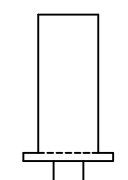



	1	2	3	4	
A				版本REV	修改日期
				C2	2004.6.18
B				 X-X	 Y-Y
C					
D	<p>NOTE:</p> <p>1. THICKNESS: 0.25mm 2. MATERIAL: BRASS/PHOSPHOR BRONZE 3. FINISH: TIN-PLATE 4. APPLICABLE WIRE: AWG18-24</p> <p>5. 使用量具為電子卡尺. 6. PVC与銅絲包脚需壓角 7. 銅絲包脚需補強</p>				
E	一般公差: GENERAL TOLERANCE		更改說明: REV.DESCRPTION		更改說明: REV.DESCRPTION
	尺寸範圍DIM		①		④
	.0	±0.20	②		⑤
	.00	±0.15	③		⑥
	.000	±0.10	核准APPD	朱小华	2004-6.18
	文件編號		審核CHD		
SC-EW-11		繪圖DWN	Liaozting	2004-6.18	模型: MODEL 料號: ITEM NO A3960T00-2
比例: SCALE	 SHIH CHUAN ELECTRONICS			規格: SPEC 3.96mm Crimp Style Connector (MX3.96)	

1

2

3

4

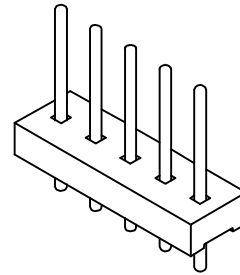
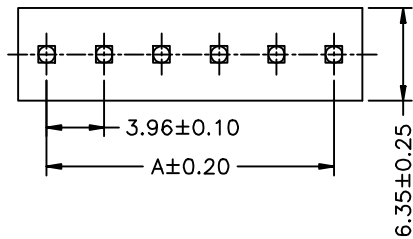
版本REV

繪制日期

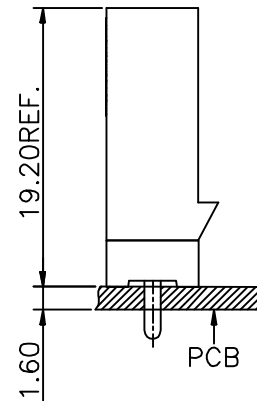
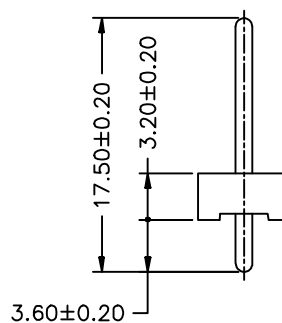
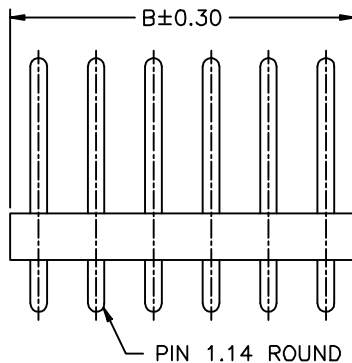
A

2009-3-28

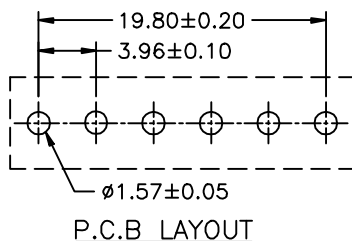
A



B



C



D

NOTE:

- Welding Board Angle: V-Stight 180°
- Material: PA66 UL94V-0 or UL 94V-2
- Material(Pin): Brass
- Finish(Pin): Tin-Plated/Non-Plating
- Row No.-Pin No.: NP-02P-20P

Circuit No.	Dimensions		Circuit No.	Dimensions	
	A	B		A	B
02P	3.96	7.92	12P	43.56	47.52
03P	7.92	11.88	13P	47.52	51.48
04P	11.88	15.84	14P	51.48	55.44
05P	15.84	19.80	15P	55.44	59.40
06P	19.80	23.76	16P	59.40	63.36
07P	23.76	27.72	17P	63.36	67.32
08P	27.72	31.68	18P	67.32	71.28
09P	31.68	35.64	19P	71.28	75.24
10P	35.64	39.60	20P	75.24	79.20
11P	39.60	43.56			

E

一般公差: GENERAL TOLERANCE

更改說明: REV. DESCRIPTION

更改說明: REV. DESCRIPTION

尺寸範圍DIM



10.01以上之尺寸

±0.20



10.00以內之尺寸

±0.15



孔位

±0.10

核准APPD

朱小华

2009-3-28

模型:

料號: ITEM NO

文件編號

審核CHD

MODEL

A3960WV00-A-NP

SC-EW-11

繪圖DWN

Liaozting

2009-3-28

比例: SCALE



SHIH CHUAN ELECTRONICS

規格: SPEC

3.96mm Crimp Style Connectors (MX3.96)

1

2

3

4

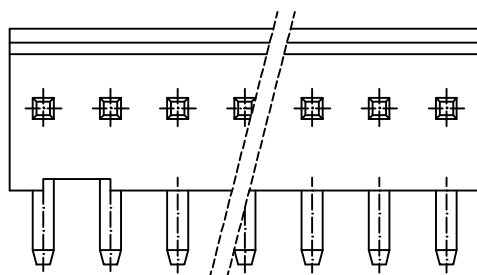
版本REV

繪制日期

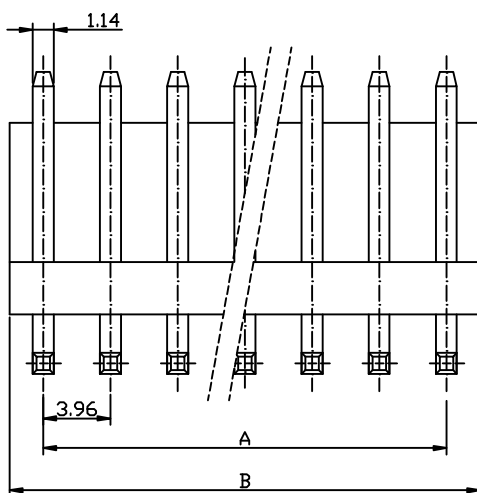
A

2009-3-28

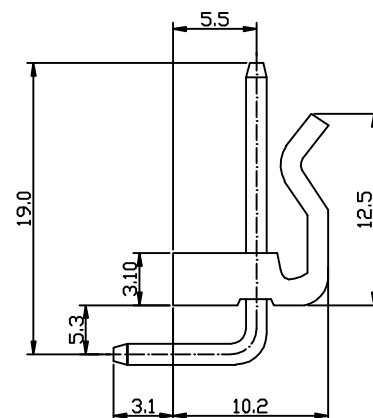
A



B



C



D

NOTE:

- Welding Board Angle: R-Right Angle 90°
- Material: PA66 UL94V-0 or UL 94V-2
- Material(Pin): Brass
- Finish(Pin): Tin-Plated
- Row No.-Pin No.: NP-02P-16P

Cir-cuits	Dimension mm	
	A	B
02	3.96	7.92
03	7.92	11.88
04	11.88	15.84
05	15.84	19.80
06	19.80	23.76
07	23.76	27.72
08	27.72	31.68
09	31.68	35.64
10	35.64	39.60
11	39.60	43.56
12	43.56	47.52
13	47.52	51.48
14	51.48	55.44
15	55.44	59.40
16	59.40	63.36

E

一般公差: GENERAL TOLERANCE

更改說明: REV. DESCRIPTION

更改說明: REV. DESCRIPTION

尺寸範圍DIM

①

④

10.01以上之尺寸

±0.20

②

⑤

10.00以內之尺寸

±0.15

③

⑥

孔位

±0.10

核准APPD

朱小华

2009-3-28

模型:

料號: ITEM NO

文件編號

審核CHD

MODEL

A3960WR00-NP

SC-EW-11

繪圖DWN

Liaozting

2009-3-28

比例: SCALE



SHIH CHUAN ELECTRONICS

規格: SPEC

3.96mm Crimp Style Connectors (MX3.96)

1

2

3

4

版本REV

繪制日期

A

2009-3-28

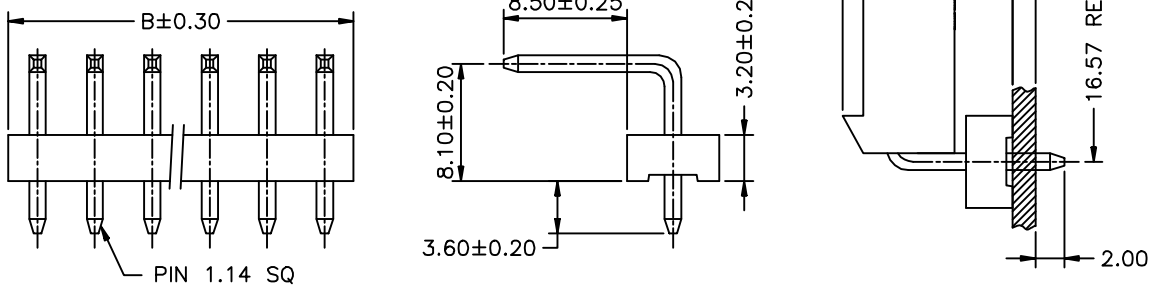
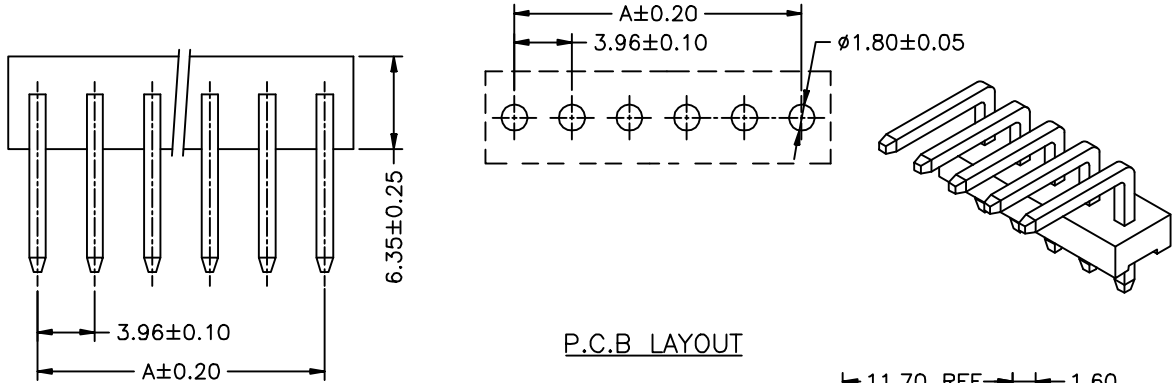
A

B

C

D

E



NOTE:

- Welding Board Angle: R-Right Angle 90°
- Material: PA66 UL94V-0 or UL 94V-2
- Material(Pin): Brass
- Finish(Pin): Tin-Plated/Non-Plating
- Row No.-Pin No.: NP-02P-20P

Circuit No.	Dimensions		Circuit No.	Dimensions	
	A	B		A	B
02P	3.96	7.92	12P	43.56	47.52
03P	7.92	11.88	13P	47.52	51.48
04P	11.88	15.84	14P	51.48	55.44
05P	15.84	19.80	15P	55.44	59.40
06P	19.80	23.76	16P	59.40	63.36
07P	23.76	27.72	17P	63.36	67.32
08P	27.72	31.68	18P	67.32	71.28
09P	31.68	35.64	19P	71.28	75.24
10P	35.64	39.60	20P	75.24	79.20
11P	39.60	43.56			

一般公差: GENERAL TOLERANCE

更改說明: REV. DESCRIPTION

更改說明: REV. DESCRIPTION

尺寸範圍DIM



10.01以上之尺寸

±0.20



10.00以內之尺寸

±0.15



孔位

±0.10

核准APPD

朱小华

2009-3-28

模型:

料號: ITEM NO

文件編號

審核CHD

MODEL

A3960WR00-A-NP

SC-EW-11

繪圖DWN

Liaozting

2009-3-28

比例: SCALE



SHIH CHUAN ELECTRONICS

規格: SPEC

3.96mm Crimp Style Connectors (MX3.96)

1

2

3

4

版本REV

繪制日期

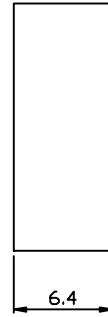
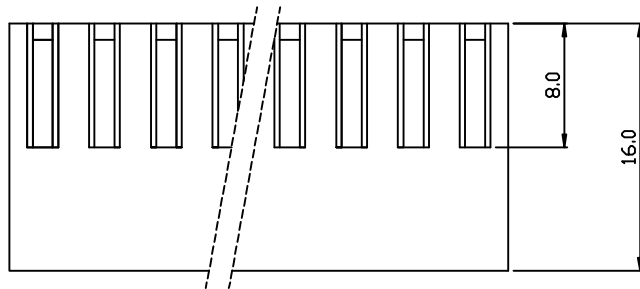
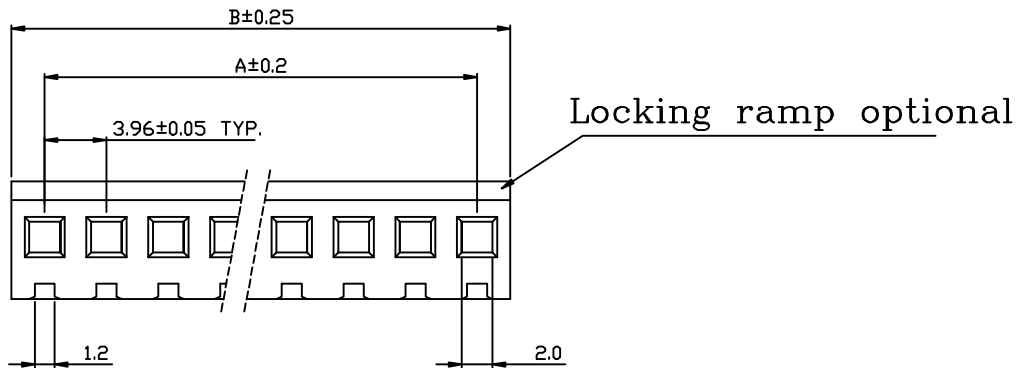
A

2009-3-28

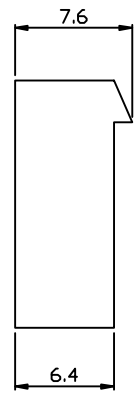
A

B

C



Without Locking Ramp



With Locking Ramp

D

NOTE:

- Material: PA66 94V-0/94V-2
- Row No.-Pin No.: NP-2P-16P

Cir-cuits	Dimension mm	
	A	B
02	3.96	8.45
03	7.92	12.48
04	11.88	16.44
05	15.84	20.52
06	19.80	24.22
07	23.76	28.30
08	27.72	32.32
09	31.68	36.22
10	35.64	40.36
11	39.60	43.95
12	43.56	47.90
13	47.52	52.16
14	51.48	56.23
15	55.44	59.70
16	59.40	63.70

E

一般公差: GENERAL TOLERANCE

更改說明: REV. DESCRIPTION

更改說明: REV. DESCRIPTION

尺寸範圍DIM

①

④

10.01以上之尺寸

±0.20

②

⑤

10.00以內之尺寸

±0.15

③

⑥

孔位

±0.10

核准APPD

朱小华

2009-3-28

模型:
MODEL

料號: ITEM NO

文件編號

審核CHD

SC-EW-11

繪圖DWN

Liaozting

2009-3-28

A3960H00-NP

比例: SCALE



SHIH CHUAN ELECTRONICS

規格: SPEC

3.96mm Crimp Style Connectors (MX3.96)

1

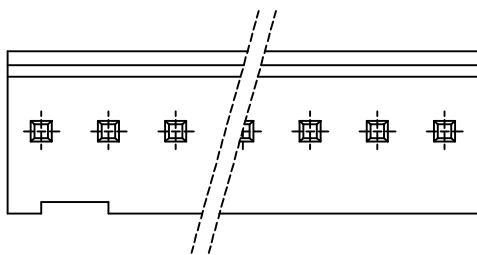
2

3

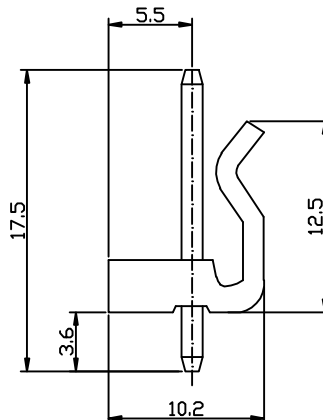
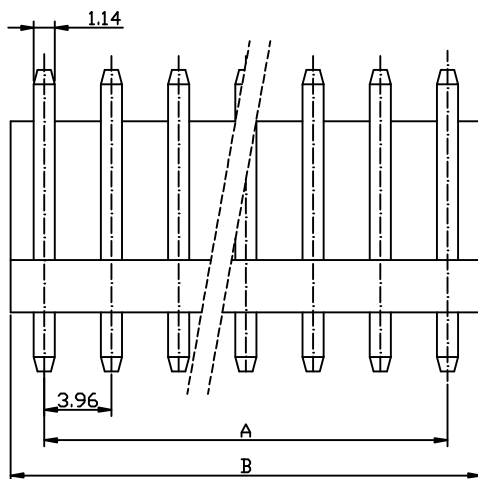
4

版本REV	繪制日期
A	2009-3-28

A



B



C

D

NOTE:

- Welding Board Angle: V-Stright 180°
- Material: PA66 UL94V-0 or UL 94V-2
- Material(Pin): Brass
- Finish(Pin): Tin-Plated
- Row No.-Pin No.: NP-02P-16P

Cir-cuits	Dimension mm	
	A	B
02	3.96	7.92
03	7.92	11.88
04	11.88	15.84
05	15.84	19.80
06	19.80	23.76
07	23.76	27.72
08	27.72	31.68
09	31.68	35.64
10	35.64	39.60
11	39.60	43.56
12	43.56	47.52
13	47.52	51.48
14	51.48	55.44
15	55.44	59.40
16	59.40	63.36

E

一般公差: GENERAL TOLERANCE

更改說明: REV. DESCRIPTION

更改說明: REV. DESCRIPTION

尺寸範圍DIM

①

④

10.01以上之尺寸

±0.20

②

⑤

10.00以內之尺寸

±0.15

③

⑥

孔位

±0.10

核准APPD

朱小华

2009-3-28

模型:
MODEL

料號: ITEM NO

文件編號

審核CHD

SC-EW-11

繪圖DWN

Liaozting

2009-3-28

A3960WV00-NP

比例: SCALE



SHIH CHUAN ELECTRONICS

規格: SPEC

3.96mm Crimp Style Connectors (MX3.96)