

1

2

3

4

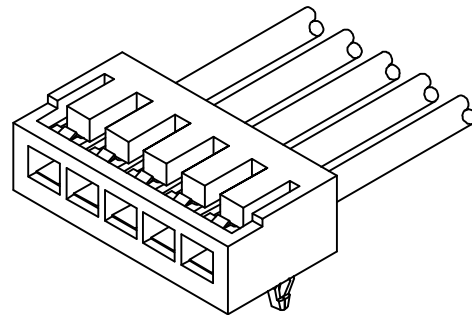
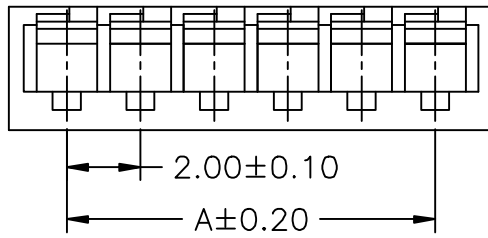
版本REV

繪制日期

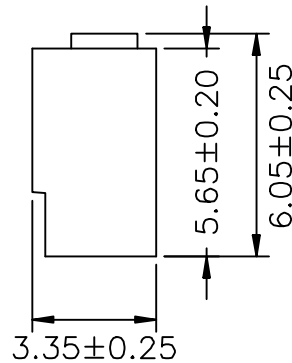
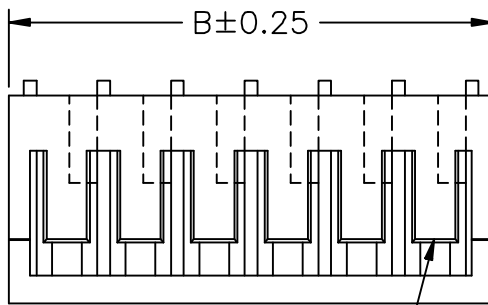
A

2009-3-28

A

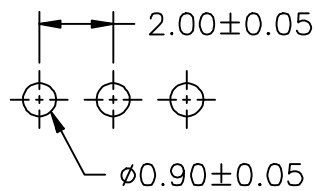


B



Circuit 1

C



P.C.B LAYOUT

PART NO.	Dimensions	
	A	B
02P	2.00	5.15
03P	4.00	7.15
04P	6.00	9.15
05P	8.00	11.15
06P	10.00	13.15
07P	12.00	15.15
08P	14.00	17.15
09P	16.00	19.15
10P	18.00	21.15
11P	20.00	23.15
12P	22.00	25.15
13P	24.00	27.15
14P	26.00	29.15
15P	28.00	31.15
16P	30.00	33.15

D

NOTE:

- Connector Type: R-Right Angle 90°
- Material: PA66 UL94V-0
- Row No.-Pin No.: NP-02P-16P

E

一般公差: GENERAL TOLERANCE

更改說明: REV. DESCRIPTION

更改說明: REV. DESCRIPTION

尺寸範圍DIM



10.01以上之尺寸

±0.20



10.00以內之尺寸

±0.15



孔位

±0.10

核准APPD

朱小华

2009-3-28

模型:

料號: ITEM NO

文件編號

審核CHD

Tony

2009-3-28

MODEL

B2011H00-R-NP

SC-EW-11

繪圖DWN

Liaozting

2009-3-28

比例: SCALE



SHIH CHUAN ELECTRONICS

規格: SPEC

2.00mm Crimp Style Connectors