

	1	2	3	4		
A				版本REV	繪制日期	
				A	2009-2-24	
B						
C						
D	<p>NOTE:</p> <p>1.THICKNESS: 0.15mm  2.MATERIAL: PHOSPHOR BRONZE  3.FINISH: TIN PIATED  4.APPLICABLE WIRE:AWG24-30  5.使用量具為電子卡尺</p>					
E	一般公差:GENERAL TOLERANCE		更改說明:REV.DESCRPTION		更改說明:REV.DESCRPTION	
	尺寸範圍DIM		△		△	
	.0	±0.30	△		△	
	.00	±0.20	△		△	
	.000	±0.10	核准APPD	朱小华	2009-2-24	模型: 料號: ITEM NO A1502TOP-00
	文件編號		審核CHD			
	SC-A-2001T		繪圖DWN	Liaozting	2009-2-24	
比例: SCALE					規格: SPEC 1.50mm Crimp Style Connectors	

1

2

3

4

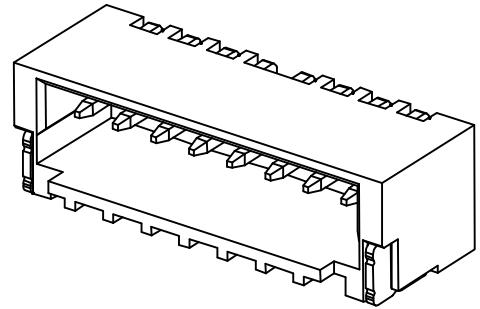
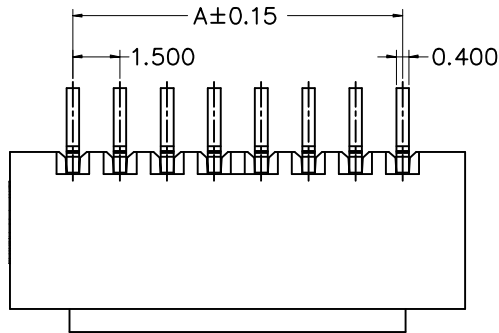
版本REV

繪制日期

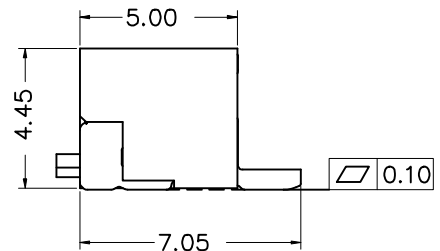
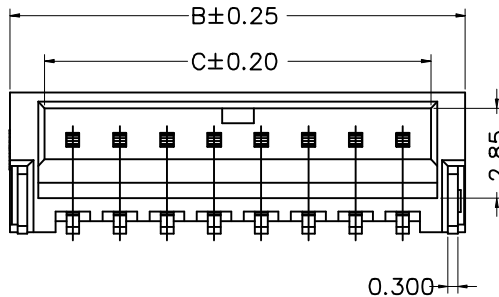
A

2009-3-27

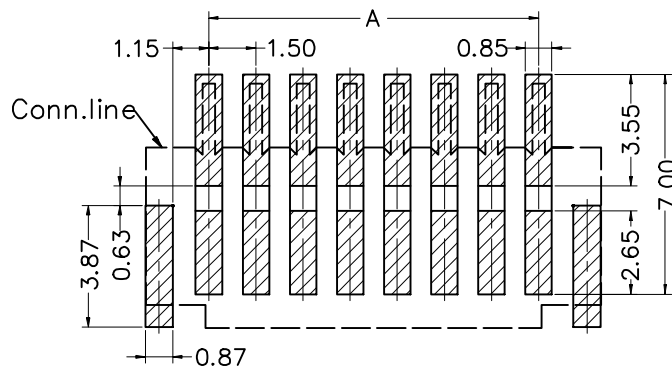
A



B



C



Recommended P.C.B Layout  
General Tolerance±0.05

D

NOTE:

- Welding Board Angle: R- Right Angle 90°
- Welding Way: S-SMT
- Row No.-Pin No.: NP-02P~15P
- Plug the Pin & Special No.: HF-Halogen Free
- Material: PA10T 94V-0
- Material(Pin): Brass
- Finish(Pin): Matee Tin-Plating

Poles	Dimensions (mm)			Poles	Dimensions (mm)		
	A	B	C		A	B	C
02	1.50	5.50	3.30	09	12.00	16.00	13.80
03	3.00	7.00	4.80	10	13.50	17.50	15.30
04	4.50	8.50	6.30	11	15.00	19.00	16.80
05	6.00	10.00	7.80	12	16.50	20.50	18.30
06	7.50	11.50	9.30	13	18.00	22.00	19.80
07	9.00	13.00	10.80	14	19.50	23.50	21.30
08	10.50	14.50	12.30	15	21.00	25.00	22.80

一般公差: GENERAL TOLERANCE

更改說明: REV. DESCRIPTION

更改說明: REV. DESCRIPTION

尺寸範圍DIM



10.01以上之尺寸

±0.20



10.00以內之尺寸

±0.15



孔位

±0.10

核准APPD

朱小华

2009-3-27

模型:

料號: ITEM NO

文件編號

審核CHD

MODEL

A1501WR-PA-NP

SC-EW-11

繪圖DWN

Liaozting

2009-3-27

比例: SCALE



SHIH CHUAN ELECTRONICS

規格: SPEC

1.5mm Crimp Style Connectors

E

1

2

3

4

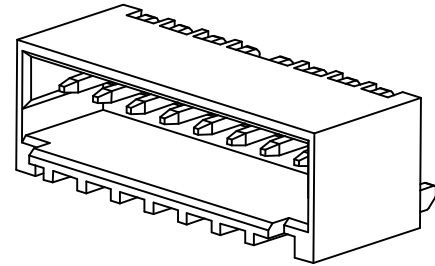
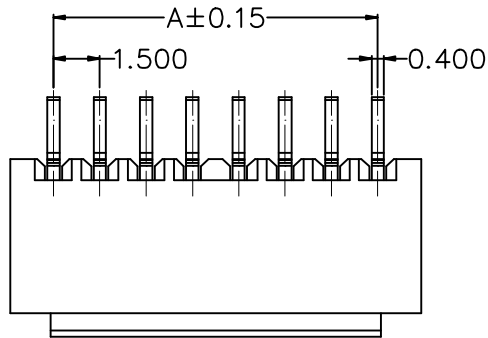
版本REV

繪制日期

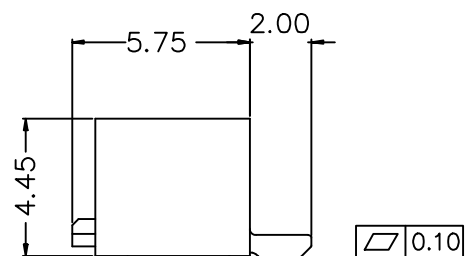
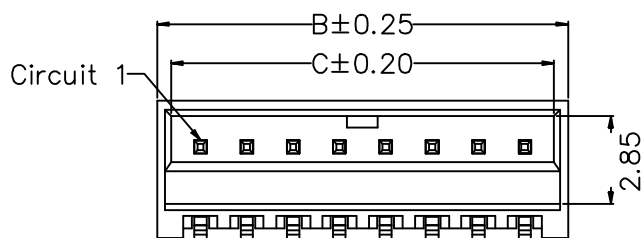
A

2009-3-27

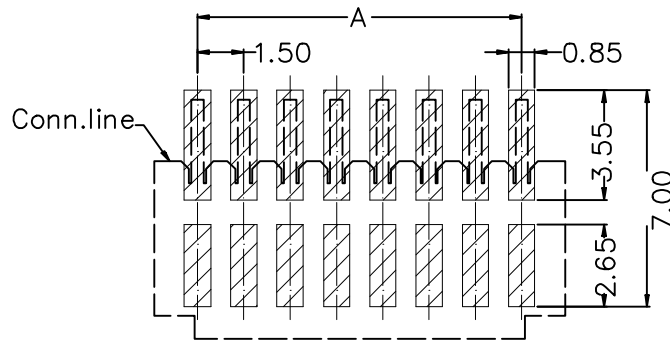
A



B



C



Recommended P.C.B Layout  
General Tolerance±0.05

D

NOTE:

- Welding Board Angle: R- Right Angle 90°
- Welding Way: S-SMT
- Row No.-Pin No.: NP-02P~15P
- Plug the Pin & Special No.: HF-Halogen Free
- Material: LP-LCP 94V-0
- Material(Pin): Brass
- Finish(Pin): Matee Tin-Plating

Poles	Dimensions (mm)			Poles	Dimensions (mm)		
	A	B	C		A	B	C
02	1.50	4.30	3.40	09	12.00	14.80	13.90
03	3.00	5.80	4.90	10	13.50	16.30	15.40
04	4.50	7.30	6.40	11	15.00	17.80	16.90
05	6.00	8.80	7.90	12	16.50	19.30	18.40
06	7.50	10.30	9.40	13	18.00	20.80	19.90
07	9.00	11.80	10.90	14	19.50	22.30	21.40
08	10.50	13.30	12.40	15	21.00	23.80	22.90

E

一般公差: GENERAL TOLERANCE

更改說明: REV. DESCRIPTION

更改說明: REV. DESCRIPTION

尺寸範圍DIM



10.01以上之尺寸

±0.20



10.00以內之尺寸

±0.15



孔位

±0.10

核准APPD

朱小华

2009-3-27

模型:

料號: ITEM NO

文件編號

審核CHD

MODEL

A1501WR-I-P-NP

SC-EW-11

繪圖DWN

Liaozting

2009-3-27

比例: SCALE

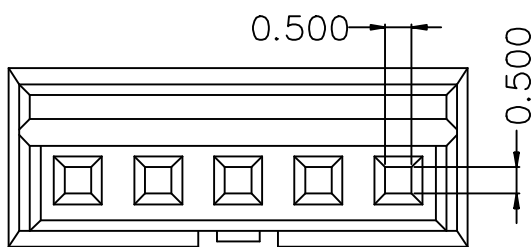
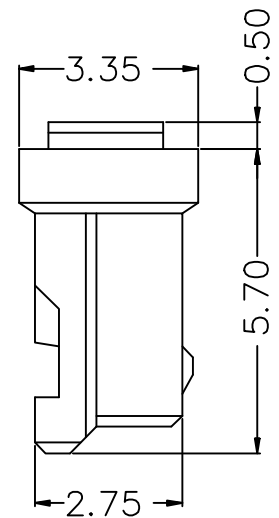
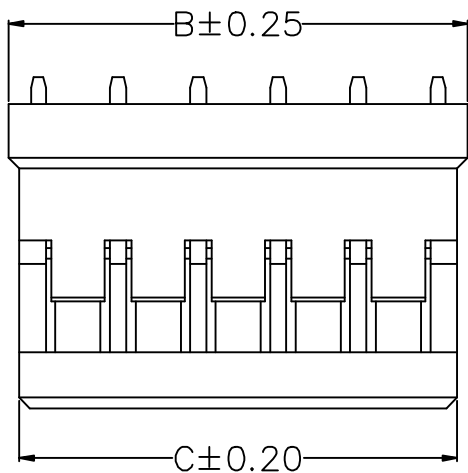
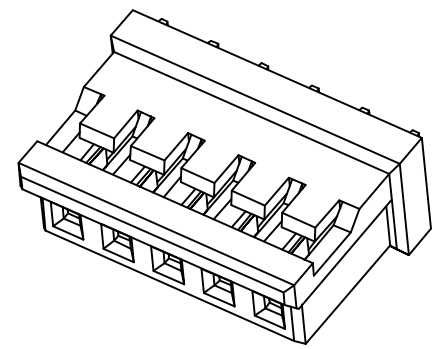
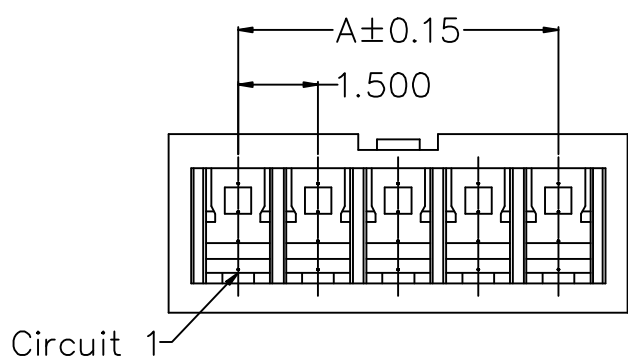


SHIH CHUAN ELECTRONICS

規格: SPEC

1.5mm Crimp Style Connectors

版本REV	繪制日期
A	2009-3-27



NOTE:  
 •Material: NY10N PA66 94V-0  
 •Q'ty: 1000PCS/Bag

Poles	Dimensions (mm)			Poles	Dimensions (mm)		
	A	B	C		A	B	C
02	1.50	4.10	3.70	09	12.00	14.60	14.20
03	3.00	5.60	5.20	10	13.50	16.10	15.70
04	4.50	7.10	6.70	11	15.00	17.60	17.20
05	6.00	8.60	8.20	12	16.50	19.10	18.70
06	7.50	10.10	9.70	13	18.00	20.60	20.20
07	9.00	11.60	11.20	14	19.50	22.10	21.70
08	10.50	13.10	12.70	15	21.00	23.60	23.20

一般公差:GENERAL TOLERANCE		更改說明:REV.DESCRPTION			更改說明:REV.DESCRPTION		
尺寸範圍DIM		△			△		
10.01以上之尺寸	±0.30	△			△		
10.00以內之尺寸	±0.20	△			△		
孔位	±0.10	核准APPD	朱小华	2009-3-27	模型:MODEL	料號: ITEM NO	
文件編號		審核CHD			A1502H-00-NP		
SC-EW-11		繪圖DWN	Liaozting	2009-3-27			
比例: SCALE					規格: SPEC 1.50mm Crimp Style Connectors		

1

2

3

4

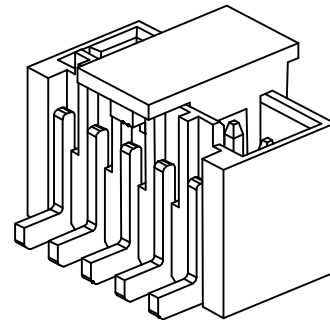
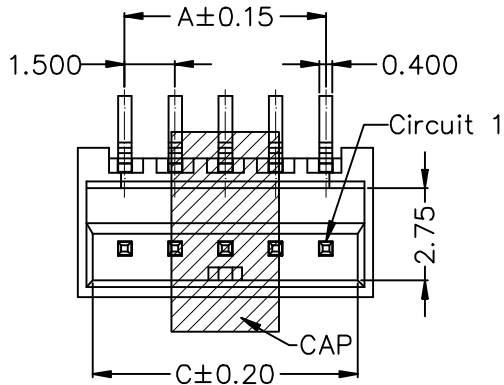
版本REV

繪制日期

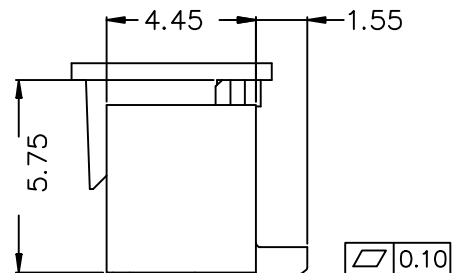
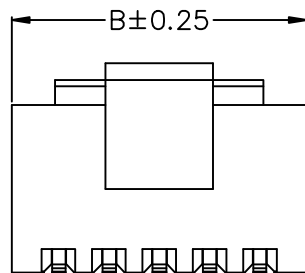
A

2009-3-27

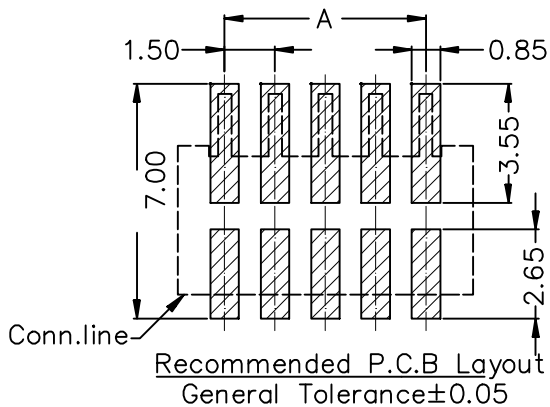
A



B



C



D

NOTE:

- Welding Board Angle: V- Straight 180°
- Welding Way: S-SMT
- Row No.-Pin No.: NP-02P~15P
- Plug the Pin & Special No.: HF-Halogen Free
- Material: LP -LCP 94V-0
- Material(Pin): Brass
- Finish(Pin): Matee Tin-Plating

Poles	Dimensions (mm)			Poles	Dimensions (mm)		
	A	B	C		A	B	C
02	1.50	4.30	3.40	09	12.00	14.80	13.90
03	3.00	5.80	4.90	10	13.50	16.30	15.40
04	4.50	7.30	6.40	11	15.00	17.80	16.90
05	6.00	8.80	7.90	12	16.50	19.30	18.40
06	7.50	10.30	9.40	13	18.00	20.80	19.90
07	9.00	11.80	10.90	14	19.50	22.30	21.40
08	10.50	13.30	12.40	15	21.00	23.80	22.90

E

一般公差: GENERAL TOLERANCE

更改說明: REV. DESCRIPTION

更改說明: REV. DESCRIPTION

尺寸範圍DIM



10.01以上之尺寸

±0.20



10.00以內之尺寸

±0.15



孔位

±0.10

核准APPD

朱小华

2009-3-27

模型:

料號: ITEM NO

文件編號

審核CHD

MODEL

A1501WV-LP-NP

SC-EW-11

繪圖DWN

Liaozting

2009-3-27

比例: SCALE



SHIH CHUAN ELECTRONICS

規格: SPEC

1.5mm Crimp Style Connectors