

1

2

3

4

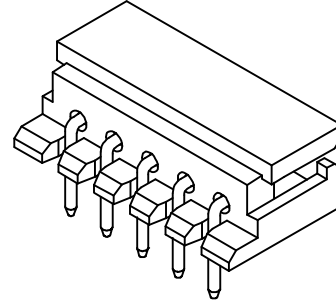
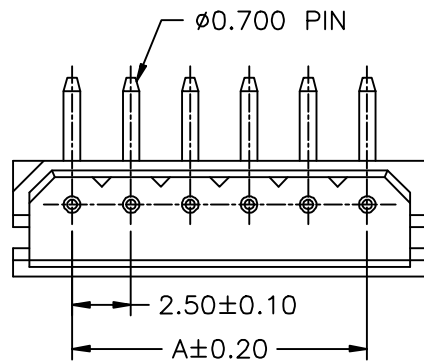
版本REV

繪制日期

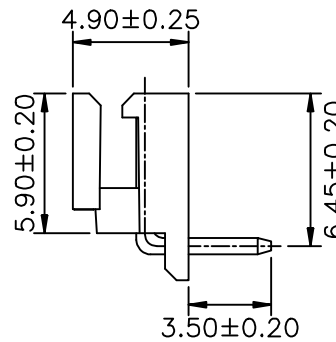
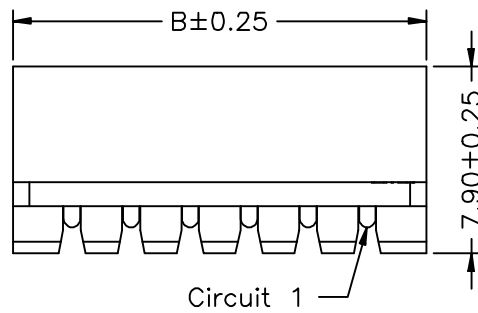
A

2009-3-28

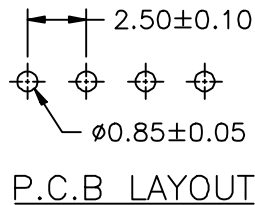
A



B



C



PART No.	Dimensions	
	A	B
02P	2.50	7.50
03P	5.00	10.00
04P	7.50	12.50
05P	10.00	15.00
06P	12.50	17.50
07P	15.00	20.00
08P	17.50	22.50
09P	20.00	25.00
10P	22.50	27.50
11P	25.00	30.00
12P	27.50	32.50
13P	30.00	35.00
14P	32.50	37.50
15P	35.00	40.00
16P	37.50	42.50

D

NOTE:

- Welding Board Angle: R-Right Angle 90°
- Material: PA66 UL94V-0
- Material(Pin): Brass
- Finish(Pin): Tin-Plated
- Row No.-Pin No.: NP-02P-16P

E

一般公差: GENERAL TOLERANCE

更改說明: REV. DESCRIPTION

更改說明: REV. DESCRIPTION

尺寸範圍DIM



10.01以上之尺寸

±0.20



10.00以內之尺寸

±0.15



孔位

±0.10

核准APPD

朱小华

2009-3-28

模型:

料號: ITEM NO

文件編號

審核CHD

MODEL

A2506WR00-NP

SC-EW-11

繪圖DWN

Liaozting

2009-3-28

比例: SCALE



SHIH CHUAN ELECTRONICS

規格: SPEC

2.50mm Crisp Style Connectors

1

2

3

4

版本REV

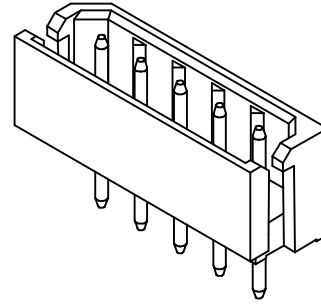
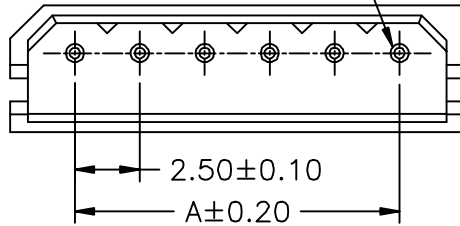
繪制日期

A

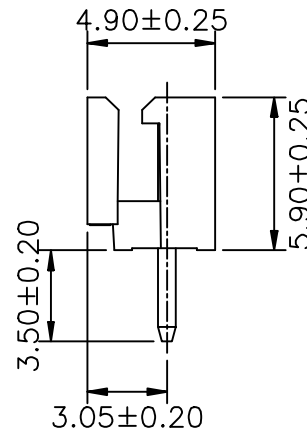
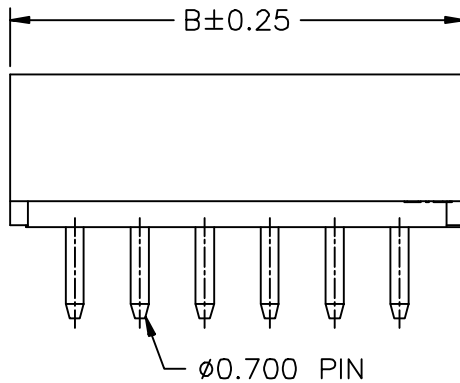
2009-3-28

A

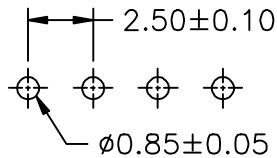
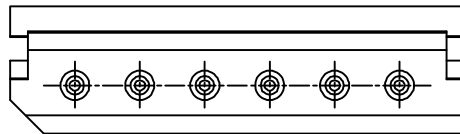
Circuit 1



B



C



P.C.B LAYOUT

D

NOTE:

- Welding Board Angle: V-Stight 180°
- Material: PA66 UL94V-0
- Material(Pin): Brass
- Finish(Pin): Tin-Plated
- Row No.-Pin No.: NP-02P-16P

PART No.	Dimensions	
	A	B
02P	2.50	7.50
03P	5.00	10.00
04P	7.50	12.50
05P	10.00	15.00
06P	12.50	17.50
07P	15.00	20.00
08P	17.50	22.50
09P	20.00	25.00
10P	22.50	27.50
11P	25.00	30.00
12P	27.50	32.50
13P	30.00	35.00
14P	32.50	37.50
15P	35.00	40.00
16P	37.50	42.50

D

E

一般公差: GENERAL TOLERANCE

更改說明: REV. DESCRIPTION

更改說明: REV. DESCRIPTION

尺寸範圍DIM



10.01以上之尺寸

±0.20



10.00以內之尺寸

±0.15



孔位

±0.10

核准APPD

朱小华

2009-3-28

模型:

料號: ITEM NO

文件編號

審核CHD

MODEL

A2506WV00-NP

SC-EW-11

繪圖DWN

Liaozting

2009-3-28

比例: SCALE



SHIH CHUAN ELECTRONICS

規格: SPEC

2.50mm Crisp Style Connectors