

1

2

3

4

版本REV

繪制日期

A

2009-3-28

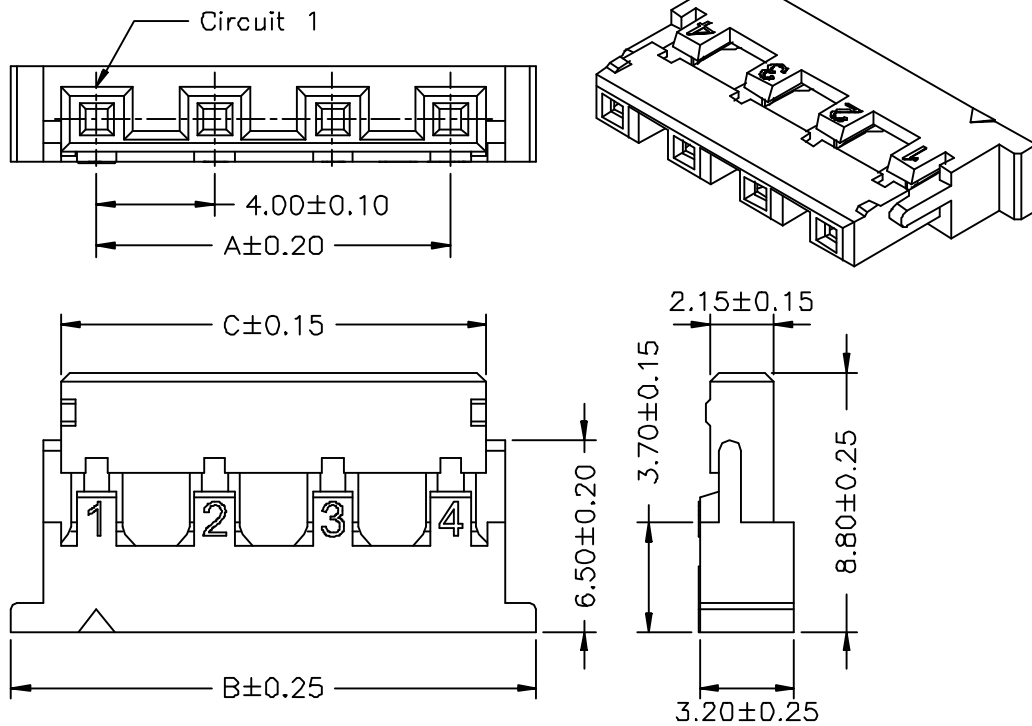
A

B

C

D

E



NOTE:

- Material: PA66 94V-0
- Row No.-Pin No.: NP-2P-5P

PART NO.	Dimensions		
	A	B	C
02P	4.00	9.80	6.40
03P	8.00	13.80	10.40
04P	12.00	17.80	14.40
05P	16.00	21.80	18.40

一般公差: GENERAL TOLERANCE

更改說明: REV. DESCRIPTION

更改說明: REV. DESCRIPTION

尺寸範圍DIM

①

④

10.01以上之尺寸

±0.20

②

⑤

10.00以內之尺寸

±0.15

③

⑥

孔位

±0.10

核准APPD

朱小华

2009-3-28

模型:

料號: ITEM NO

文件編號

審核CHD

MODEL

A4001H00-NP

SC-EW-11

繪圖DWN

Liaozting

2009-3-28

比例: SCALE



SHIH CHUAN ELECTRONICS

規格: SPEC

4.00mm Crimp Style Connectors

1

2

3

4

版本REV

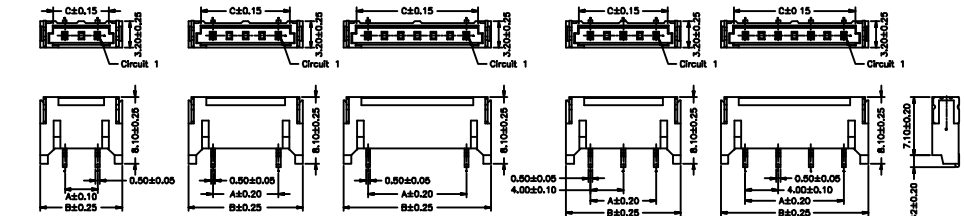
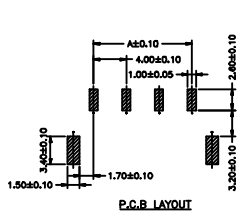
繪制日期

A

2009-3-28

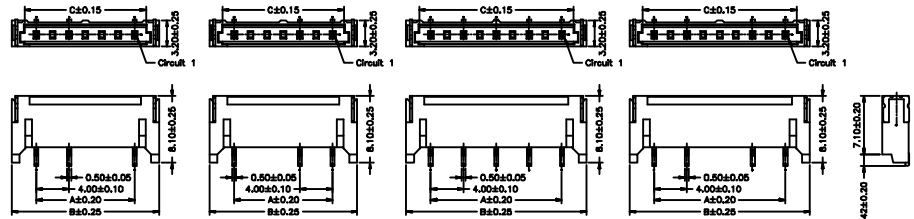
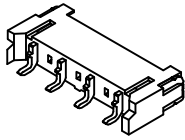
A

B



A4000WR-S-02P1 A4000WR-S-02P2 A4000WR-S-02P3 A4000WR-S-03P A4000WR-S-04P

C



A4000WR-S-04P137 A4000WR-S-04P157 A4000WR-S-05P A4000WR-S-05PQ3

D

NOTE:

- Welding Board Angle: R-Right Angle 90°
- Material: Nylon 6T, UL94V-0
- Material(Pin): Brass
- Finish(Pin): Tin-Plated

PART NO.	Dimensions		
	A	B	C
A4000WR-S-02P1	4.00	10.00	6.80
A4000WR-S-02P2	8.00	14.00	10.80
A4000WR-S-02P3	12.00	18.00	14.80
A4000WR-S-03P	8.00	14.00	10.80
A4000WR-S-04P	12.00	18.00	14.80
A4000WR-S-04P137	12.00	18.00	14.80
A4000WR-S-04P157	12.00	18.00	14.80
A4000WR-S-05P	16.00	22.00	18.80
A4000WR-S-05PQ3	16.00	22.00	18.80

E

一般公差: GENERAL TOLERANCE

更改說明: REV. DESCRIPTION

更改說明: REV. DESCRIPTION

尺寸範圍DIM



10.01以上之尺寸

±0.20



10.00以內之尺寸

±0.15



孔位

±0.10

核准APPD

朱小华

2009-3-28

模型:

料號: ITEM NO

文件編號

審核CHD

MODEL

A4000WR00-S-NP

SC-EW-11

繪圖DWN

Liaozting

2009-3-28

比例: SCALE



SHIH CHUAN ELECTRONICS

規格: SPEC

4.00mm Crimp Style Connectors