

1

2

3

4

版本REV

繪制日期

A

2009-3-28

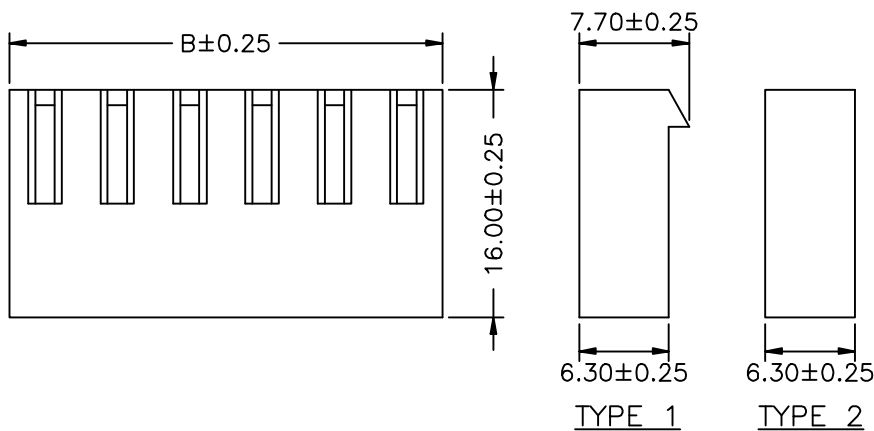
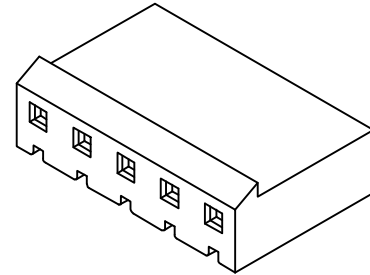
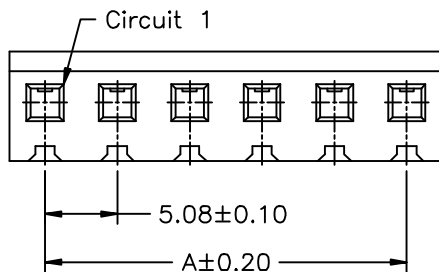
A

B

C

D

E



NOTE:

- Material: PA66 94V-2
- Row No.-Pin No.: NP-2P-20P

Circuit No.	Dimensions		Circuit No.	Dimensions	
	A	B		A	B
02P	5.08	10.08	12P	55.88	60.88
03P	10.16	15.16	13P	60.96	65.96
04P	15.24	20.24	14P	66.04	71.04
05P	20.32	25.32	15P	71.12	76.12
06P	25.40	30.40	16P	76.20	81.20
07P	30.48	35.48	17P	81.28	86.28
08P	35.56	40.56	18P	86.36	91.36
09P	40.64	45.64	19P	91.44	96.44
10P	45.72	50.72	20P	96.52	101.52
11P	50.80	55.80			

一般公差: GENERAL TOLERANCE

更改說明: REV. DESCRIPTION

更改說明: REV. DESCRIPTION

尺寸範圍DIM

①

④

10.01以上之尺寸

±0.20

②

⑤

10.00以內之尺寸

±0.15

③

⑥

孔位

±0.10

核准APPD

朱小华

2009-3-28

模型:

料號: ITEM NO

文件編號

審核CHD

MODEL

A5081H00-NP*

SC-EW-11

繪圖DWN

Liaozting

2009-3-28

比例: SCALE



SHIH CHUAN ELECTRONICS

規格: SPEC

5.08mm Crimp Style Connectors

1

2

3

4

版本REV

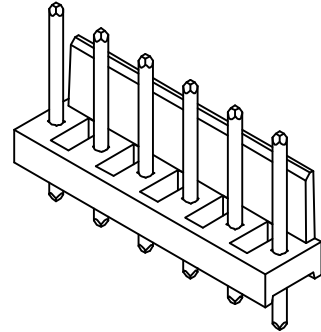
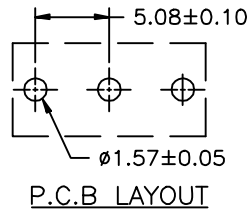
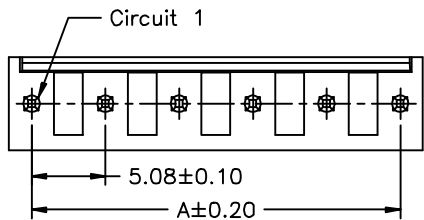
繪制日期

A

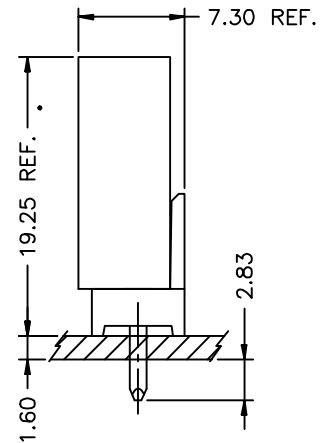
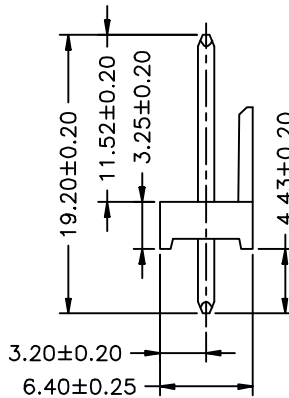
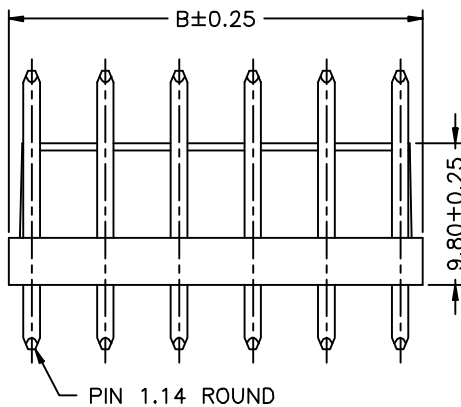
2009-3-28

A

B



C



D

NOTE:

- Welding Board Angle: V-Stright 180°
- Material: PA66 UL94V-2
- Material(Pin): Brass
- Finish(Pin): Tin-Plated
- Row No.-Pin No.: NP-02P-20P

Circuit No.	Dimensions		Circuit No.	Dimensions	
	A	B		A	B
02P	5.08	8.20	12P	55.88	59.00
03P	10.16	13.28	13P	60.96	64.08
04P	15.24	18.36	14P	66.04	69.16
05P	20.32	23.44	15P	71.12	74.24
06P	25.40	28.52	16P	76.20	79.32
07P	30.48	33.60	17P	81.28	84.40
08P	35.56	38.68	18P	86.36	89.48
09P	40.64	43.76	19P	91.44	94.56
10P	45.72	48.84	20P	96.52	99.64
11P	50.80	53.92			

E

一般公差: GENERAL TOLERANCE

更改說明: REV. DESCRIPTION

更改說明: REV. DESCRIPTION

尺寸範圍DIM

①

④

10.01以上之尺寸

±0.20

②

⑤

10.00以內之尺寸

±0.15

③

⑥

孔位

±0.10

核准APPD

朱小华

2009-3-28

模型:

料號: ITEM NO

文件編號

審核CHD

MODEL

A5081WV00-B-NP

SC-EW-11

繪圖DWN

Liaozting

2009-3-28

比例: SCALE



SHIH CHUAN ELECTRONICS

規格: SPEC

5.08mm Crimp Style Connectors

1

2

3

4

版本REV

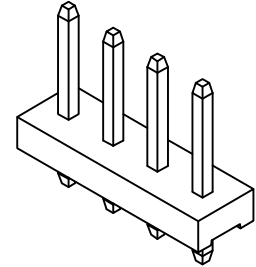
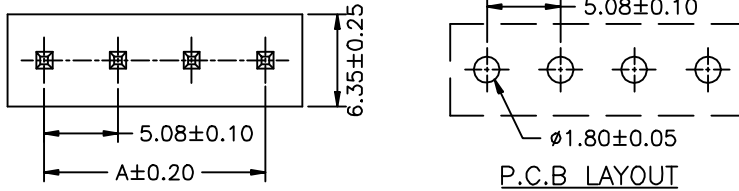
繪制日期

A

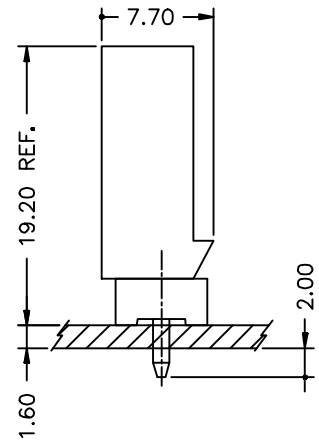
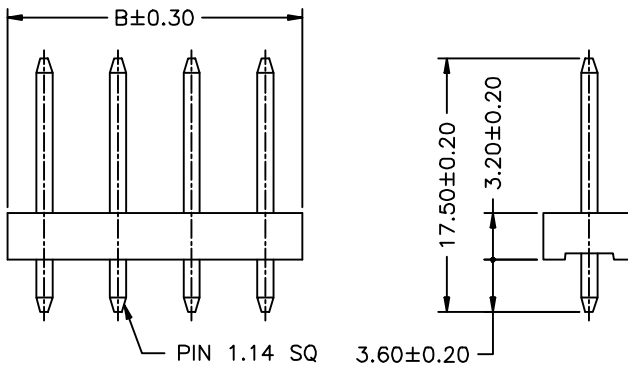
2009-3-28

A

B



C



D

NOTE:

- Welding Board Angle: V-Straight 180°
- Material: PA66 UL94V-2
- Material(Pin): Brass
- Finish(Pin): Tin-Plated
- Row No.-Pin No.: NP-02P-9P

Circuit No.	Dimensions	
	A	B
02P	5.08	10.16
03P	10.16	15.24
04P	15.24	20.32
05P	20.32	25.40
06P	25.40	30.48
07P	30.48	35.56
08P	35.56	40.64
09P	40.64	45.72

E

一般公差: GENERAL TOLERANCE

更改說明: REV. DESCRIPTION

更改說明: REV. DESCRIPTION

尺寸範圍DIM

①

④

10.01以上之尺寸

±0.20

②

⑤

10.00以內之尺寸

±0.15

③

⑥

孔位

±0.10

核准APPD

朱小华

2009-3-28

模型:

料號: ITEM NO

文件編號

審核CHD

MODEL

A5081WV00-A-NP

SC-EW-11

繪圖DWN

Liaozting

2009-3-28

比例: SCALE



SHIH CHUAN ELECTRONICS

規格: SPEC

5.08mm Crimp Style Connectors

1

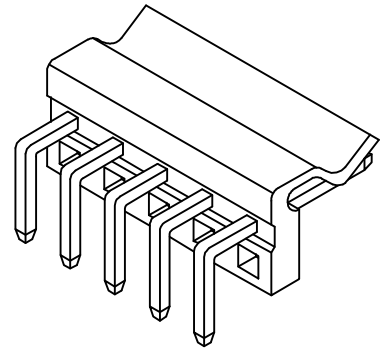
2

3

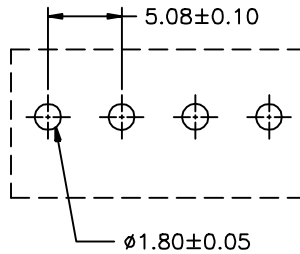
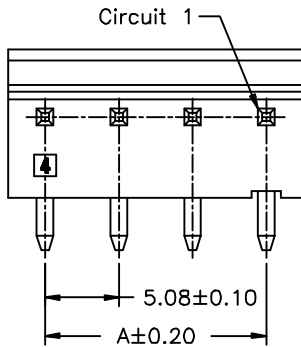
4

版本REV	繪制日期
A	2009-3-28

A

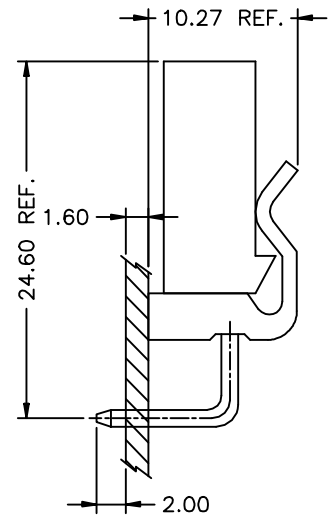
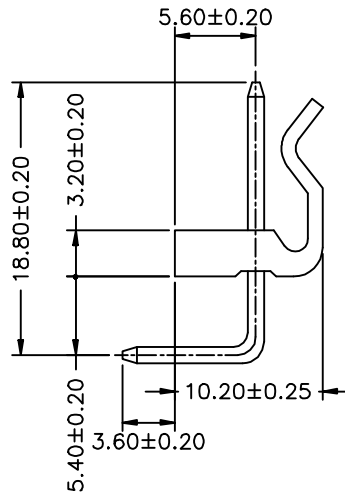
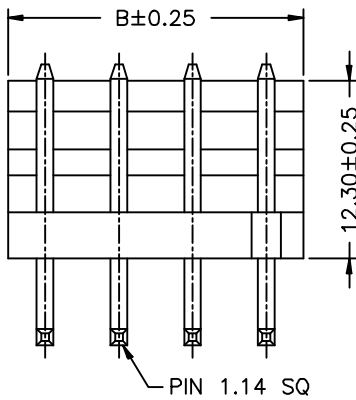


B



P.C.B. LAYOUT

C



D

NOTE:

- Welding Board Angle: R-Right Angle 90°
- Material: PA66 UL94V-2
- Material(Pin): Brass
- Finish(Pin): Tin-Plated
- Row No.-Pin No.: NP-02P-20P

Circuit No.	Dimensions		Circuit No.	Dimensions	
	A	B		A	B
02P	5.08	10.16	12P	55.88	60.96
03P	10.16	15.24	13P	60.96	66.04
04P	15.24	20.32	14P	66.04	71.12
05P	20.32	25.40	15P	71.12	76.20
06P	25.40	30.48	16P	76.20	81.28
07P	30.48	35.56	17P	81.28	86.36
08P	35.56	40.64	18P	86.36	91.44
09P	40.64	45.72	19P	91.44	96.52
10P	45.72	50.80	20P	96.52	101.60
11P	50.80	55.88			

E

一般公差: GENERAL TOLERANCE

更改說明: REV. DESCRIPTION

更改說明: REV. DESCRIPTION

尺寸範圍DIM

①

④

10.01以上之尺寸

±0.20

②

⑤

10.00以內之尺寸

±0.15

③

⑥

孔位

±0.10

核准APPD

朱小华

2009-3-28

模型:

料號: ITEM NO

文件編號

審核CHD

MODEL

A5080WR00-NP

SC-EW-11

繪圖DWN

Liaozting

2009-3-28

比例: SCALE



SHIH CHUAN ELECTRONICS

規格: SPEC

5.08mm Crimp Style Connectors

1

2

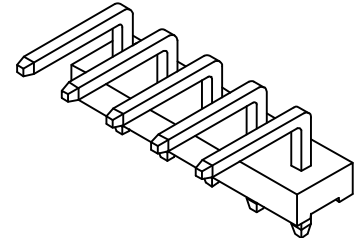
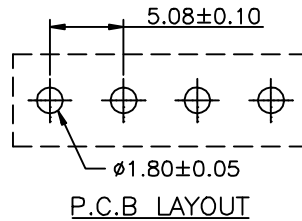
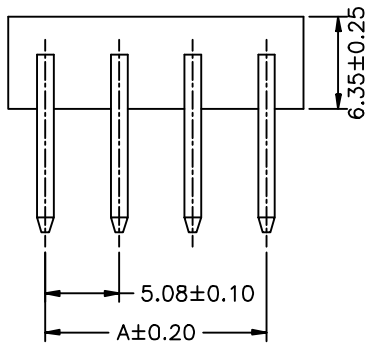
3

4

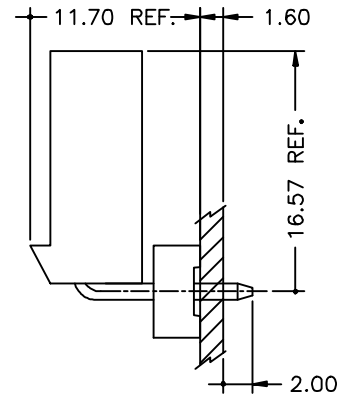
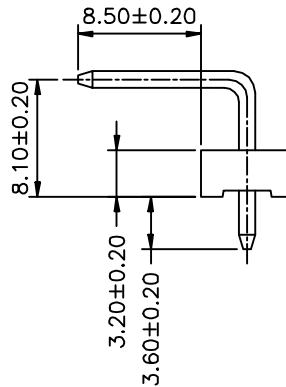
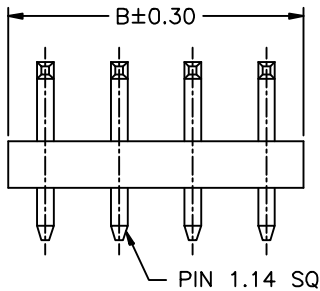
版本REV	繪制日期
A	2009-3-28

A

B



C



D

NOTE:

- Welding Board Angle: R-Right Angle 90°
- Material: PA66 UL94V-2
- Material(Pin): Brass
- Finish(Pin): Tin-Plated
- Row No.-Pin No.: NP-02P-9P

Circuit No.	Dimensions	
	A	B
02P	5.08	10.16
03P	10.16	15.24
04P	15.24	20.32
05P	20.32	25.40
06P	25.40	30.48
07P	30.48	35.56
08P	35.56	40.64
09P	40.64	45.72

E

一般公差: GENERAL TOLERANCE

更改說明: REV. DESCRIPTION

更改說明: REV. DESCRIPTION

尺寸範圍DIM

①

④

10.01以上之尺寸

±0.20

②

⑤

10.00以內之尺寸

±0.15

③

⑥

孔位

±0.10

核准APPD

朱小华

2009-3-28

模型:

料號: ITEM NO

文件編號

審核CHD

MODEL

A5080WR00-A-NP

SC-EW-11

繪圖DWN

Liaozting

2009-3-28

比例: SCALE



SHIH CHUAN ELECTRONICS

規格: SPEC

5.08mm Crimp Style Connectors

1

2

3

4

版本REV

繪制日期

A

2009-3-28

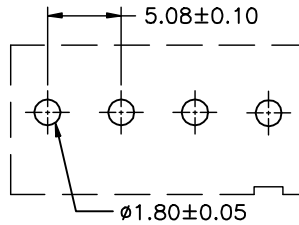
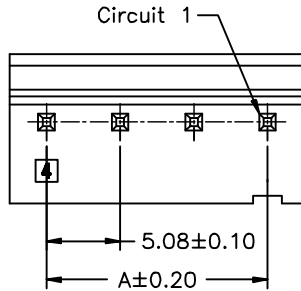
A

B

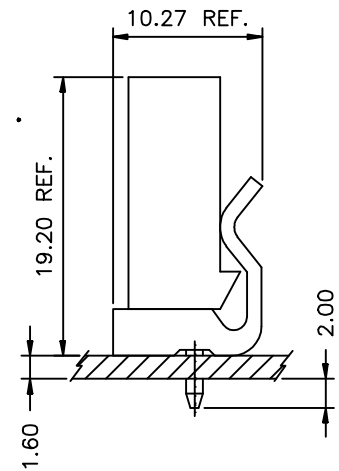
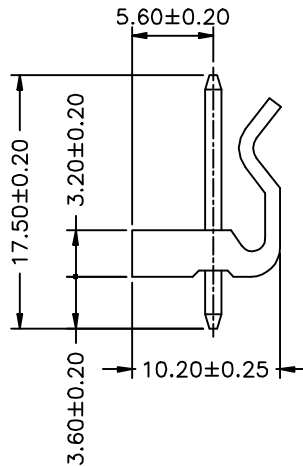
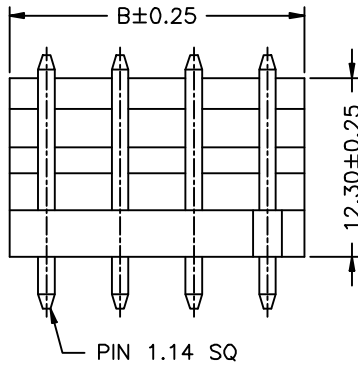
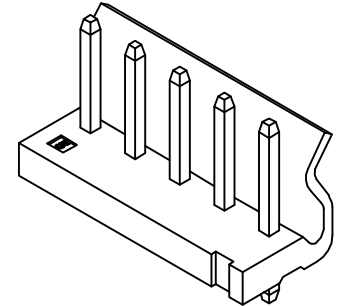
C

D

E



P.C.B LAYOUT



NOTE:

- Welding Board Angle: V-Stright 180°
- Material: PA66 UL94V-2
- Material(Pin): Brass
- Finish(Pin): Tin-Plated
- Row No.-Pin No.: NP-02P-20P

Circuit No.	Dimensions		Circuit No.	Dimensions	
	A	B		A	B
02P	5.08	8.20	12P	55.88	59.00
03P	10.16	13.28	13P	60.96	64.08
04P	15.24	18.36	14P	66.04	69.16
05P	20.32	23.44	15P	71.12	74.24
06P	25.40	28.52	16P	76.20	79.32
07P	30.48	33.60	17P	81.28	84.40
08P	35.56	38.68	18P	86.36	89.48
09P	40.64	43.76	19P	91.44	94.56
10P	45.72	48.84	20P	96.52	99.64
11P	50.80	53.92			

一般公差: GENERAL TOLERANCE

更改說明: REV. DESCRIPTION

更改說明: REV. DESCRIPTION

尺寸範圍DIM



10.01以上之尺寸

±0.20



10.00以內之尺寸

±0.15



孔位

±0.10

核准APPD

朱小华

2009-3-28

模型:

料號: ITEM NO

文件編號

審核CHD

MODEL

A5081WV00-NP

SC-EW-11

繪圖DWN

Liaozting

2009-3-28

比例: SCALE



SHIH CHUAN ELECTRONICS

規格: SPEC

5.08mm Crimp Style Connectors