

1

2

3

4

版本REV

繪制日期

A

2009-3-28

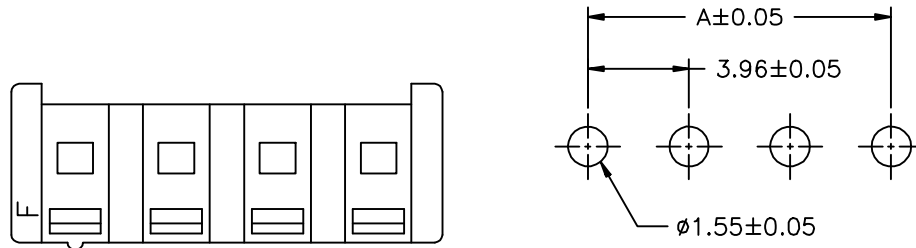
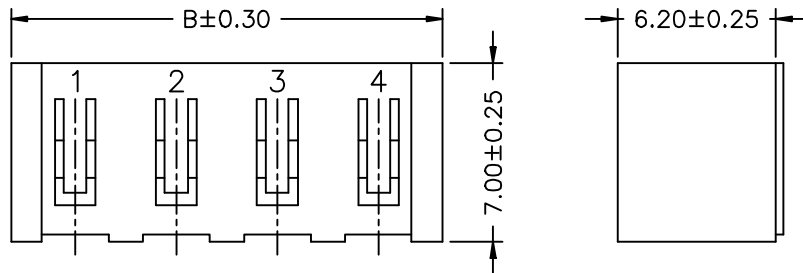
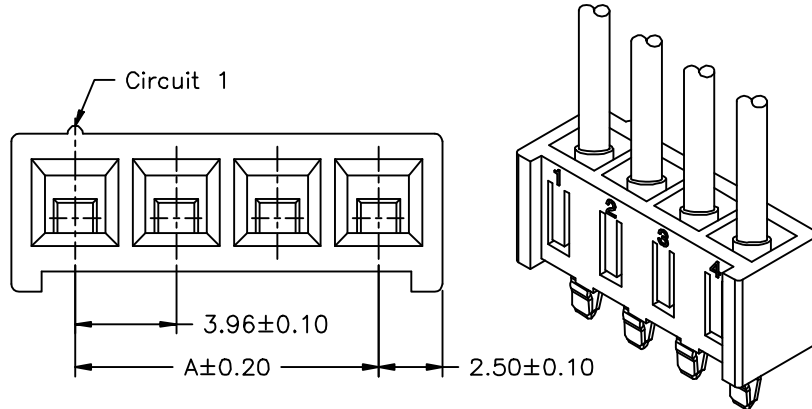
A

B

C

D

E



P.C.B LAYOUT

NOTE:

- Connector Type: V-Straight 180°
- Material: PA66 UL94V-0
- Row No.-Pin No.: NP-02P-15P

Circuit No.	Dimensions		Circuit No.	Dimensions	
	A	B		A	B
02P	3.96	8.96	09P	31.68	36.68
03P	7.92	12.92	10P	35.64	40.64
04P	11.88	16.88	11P	39.60	44.60
05P	15.84	20.84	12P	43.56	48.56
06P	19.80	24.80	13P	47.52	52.52
07P	23.76	28.76	14P	51.48	56.48
08P	27.72	32.72	15P	55.44	60.44

一般公差: GENERAL TOLERANCE

更改說明: REV. DESCRIPTION

更改說明: REV. DESCRIPTION

尺寸範圍DIM



10.01以上之尺寸

±0.20



10.00以內之尺寸

±0.15



孔位

±0.10

核准APPD

朱小华

2009-3-28

模型:

料號: ITEM NO

文件編號

審核CHD

Tony

2009-3-28

MODEL

B3965H00-V-NP

SC-EW-11

繪圖DWN

Liaozting

2009-3-28

比例: SCALE



SHIH CHUAN ELECTRONICS

規格: SPEC

3.96mm Crimp Style Connectors